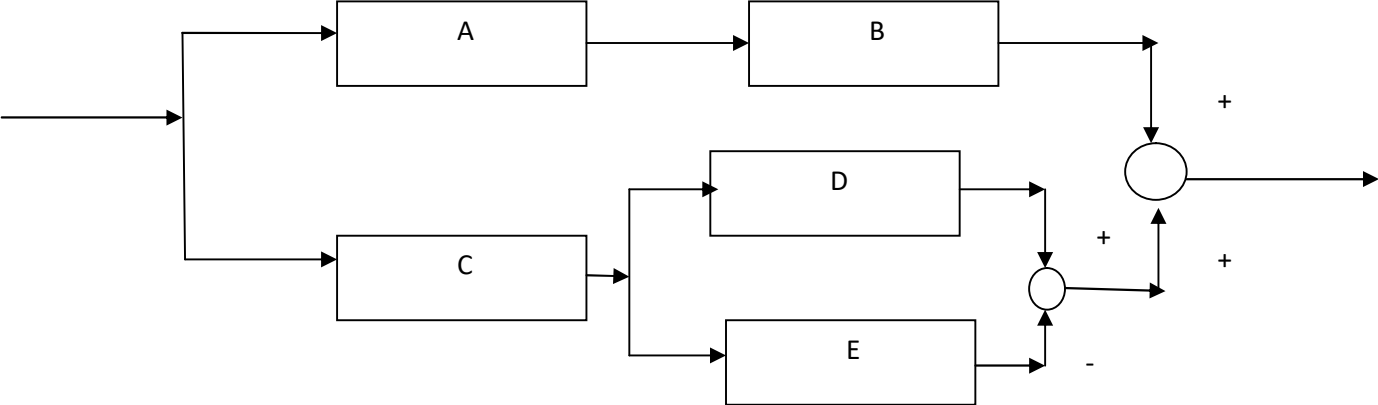


$$G = A * B + C * (D - E)$$



$$G=(A-B)*(C+D)+1$$

